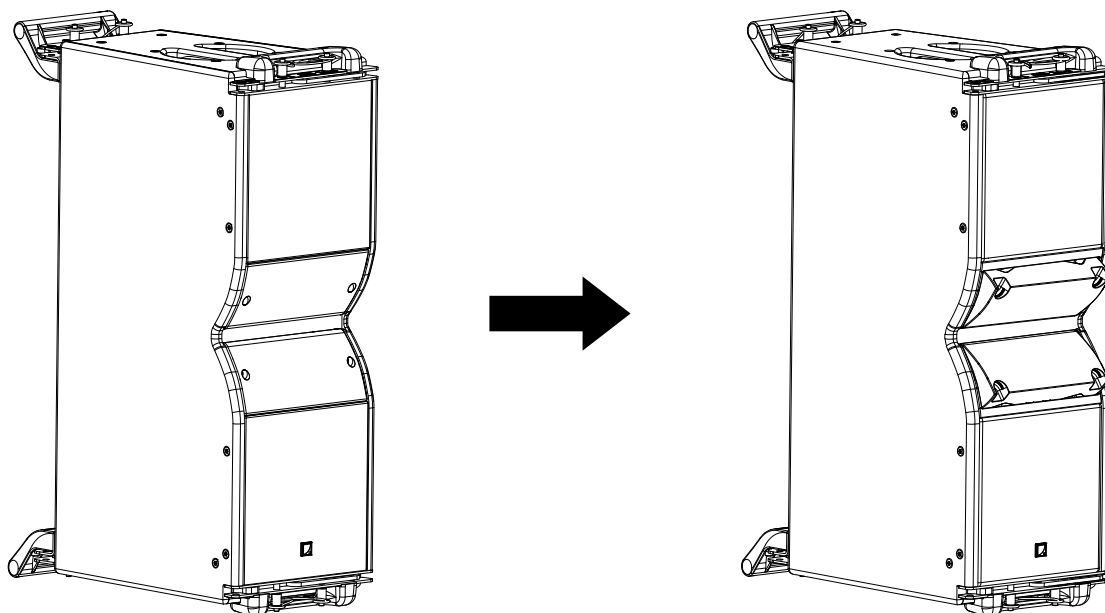


Kara to Kara II



upgrade instructions (EN)



Document reference: Kara to Kara II upgrade instructions (EN) version 1.1

Distribution date: July 15, 2021

© 2021 L-Acoustics. All rights reserved.

No part of this publication may be reproduced or transmitted in any form or by any means without the express written consent of the publisher.

Safety




Instructions

- !** **Inspect the system before any deployment.**
Perform safety related checks and inspections before any deployment.
- !** **Perform preventive maintenance at least once a year.**
Refer to the preventive maintenance section in the user documentation for a list of actions and their periodicity. Insufficient upkeep of the product can void the warranty.
- !** **If any safety issue is detected during inspection, do not use the product before performing corrective maintenance.**
Check for issues. A rigging system part or fastener is missing or loose. A rigging system part exhibits: bends, breaks, broken parts, corrosion, cracks, cracks in welded joints, deformation, denting, wear, holes. A safety cue or label is missing.
- !** **All maintenance must be performed by qualified personnel.**
- !** **This manual contains the maintenance operations authorized for the end user.**
Performing another operation exposes to hazardous situations.
- !** **Strictly follow the sequence of successive steps in all procedures.**
- !** **Never incorporate equipment or accessories not approved by L-Acoustics.**
- !** **Read all the related PRODUCT INFORMATION documents shipped with the products before exploiting the system.**
- !** **Beware of sound levels.**
Do not stay within close proximity of loudspeakers in operation.
Loudspeaker systems are capable of producing very high sound pressure levels (SPL) which can instantaneously lead to permanent hearing damage to performers, production crew and audience members. Hearing damage can also occur at moderate level with prolonged exposure to sound.
Check the applicable laws and regulations relating to maximum sound levels and exposure times.
- !** **Do not store the product on an unstable cart, stand, tripod, bracket, or table.**
- !** **As part of a continuous evolution of techniques and standards, L-Acoustics reserves the right to change the specifications of its products and the content of its documents without prior notice.**
Check www.l-acoustics.com on a regular basis to download the latest document and software updates.
- !** **Long term exposure to extreme conditions may damage the product.**
For more information, refer to the **Products weather protection** document, available on the website.
- i** This marking indicates that this product should not be disposed of with other household waste throughout the EU. To prevent possible harm to the environment or human health from uncontrolled waste disposal, recycle it responsibly to promote the sustainable reuse of material resources. To return your used device, please use the return and collection systems or contact the retailer where the product was purchased. They can take this product for environmentally safe recycling.



Symbols

The following symbols are used in this document:

-  This symbol indicates a potential risk of harm to an individual or damage to the product. It can also notify the user about instructions that must be strictly followed to ensure safe installation or operation of the product.
-  This symbol notifies the user about instructions that must be strictly followed to ensure proper installation or operation of the product.
-  This symbol notifies the user about complementary information or optional instructions.

Upgrade procedure

About this task

Kara can be upgraded to Kara II by replacing the Kara fins with Kara II L-Fins.

One KARA II UPG upgrade kit is necessary for the upgrade of one Kara to Kara II.

! Performing maintenance on Kara enclosures upgraded to Kara II

Kara and Kara II compression drivers have different connector types.

Use Kara repair kits on upgraded enclosures for the following parts:

HF compression driver: KR HPBC34

HF diaphragm: KR HSBC34

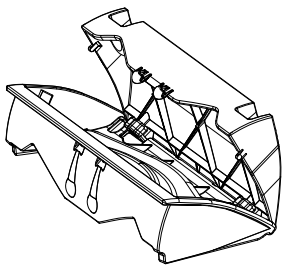
For all other parts, Kara II repair kits can be used.

Tools

- torque screwdriver
- 5 mm hex bit
- T30 Torx bit
- flat plastic tool (optional)

KARA II UPG

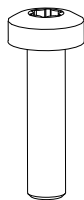
Panflex upgrade kit for Kara (includes Panflex fins and Kara II sticker)



x2

G100446

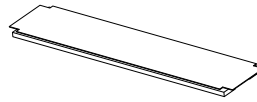
Kara II fin assembly



x4

S100143

M6x25 Torx



x1

103066

Kara II dust cover



103227

Kara II label



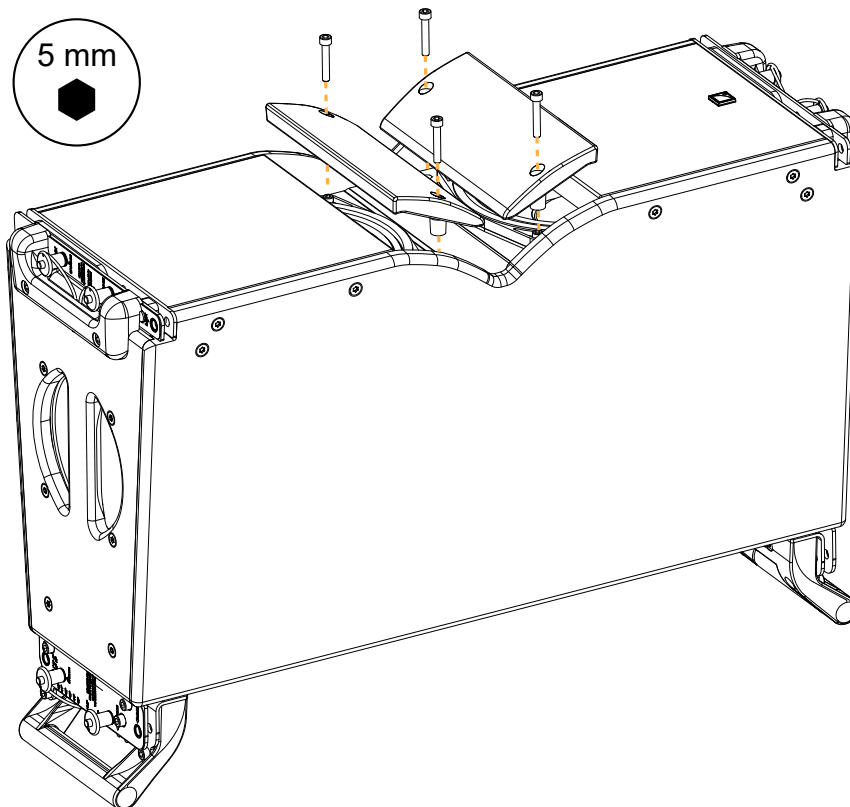
x1

1523_2

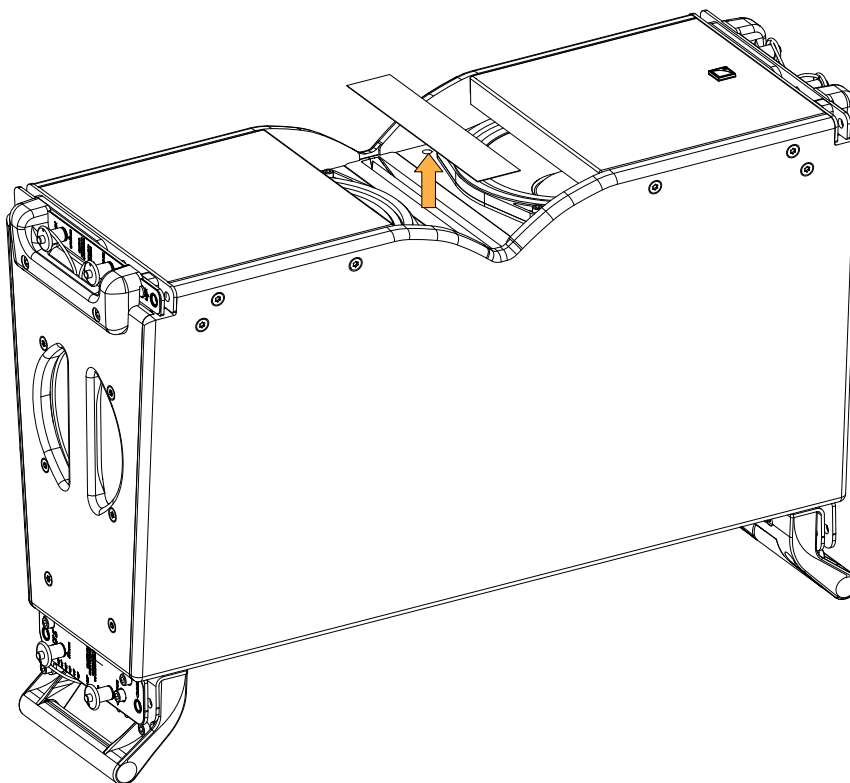
empty label

Procedure

1. Remove the two fins from Kara.



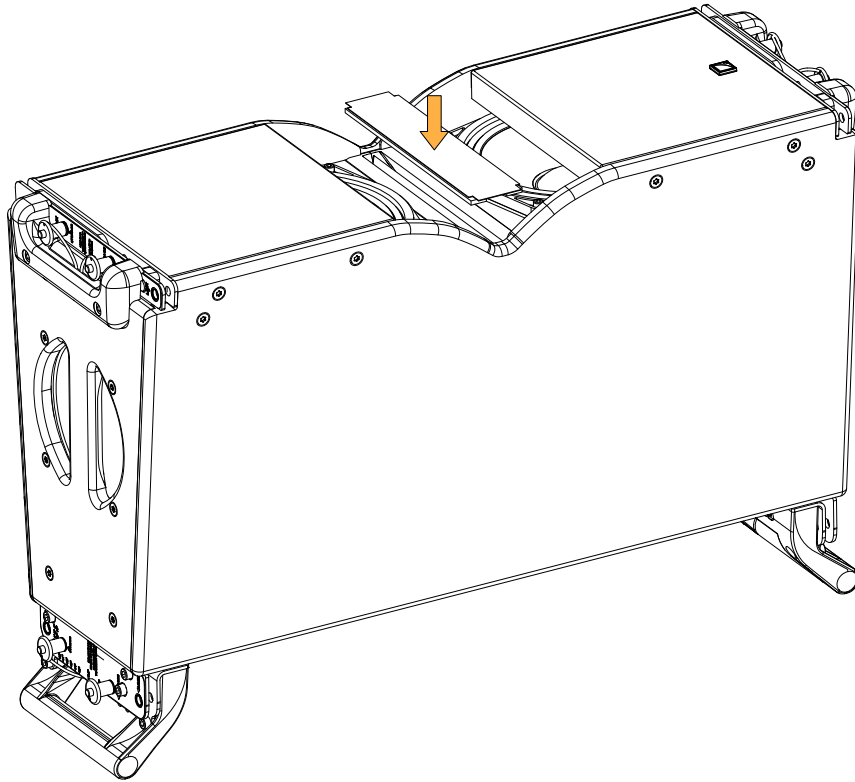
2. Remove the dust cover.





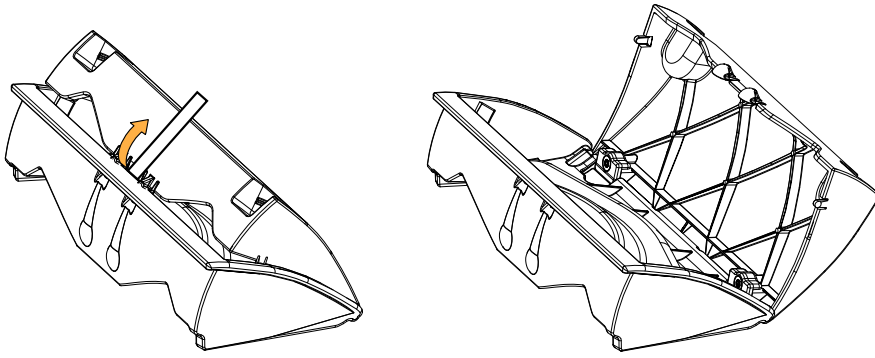
Remove any old dust cover material and dust before applying the new dust cover.

3. Place the new dust cover with the gaskets against the cabinet.

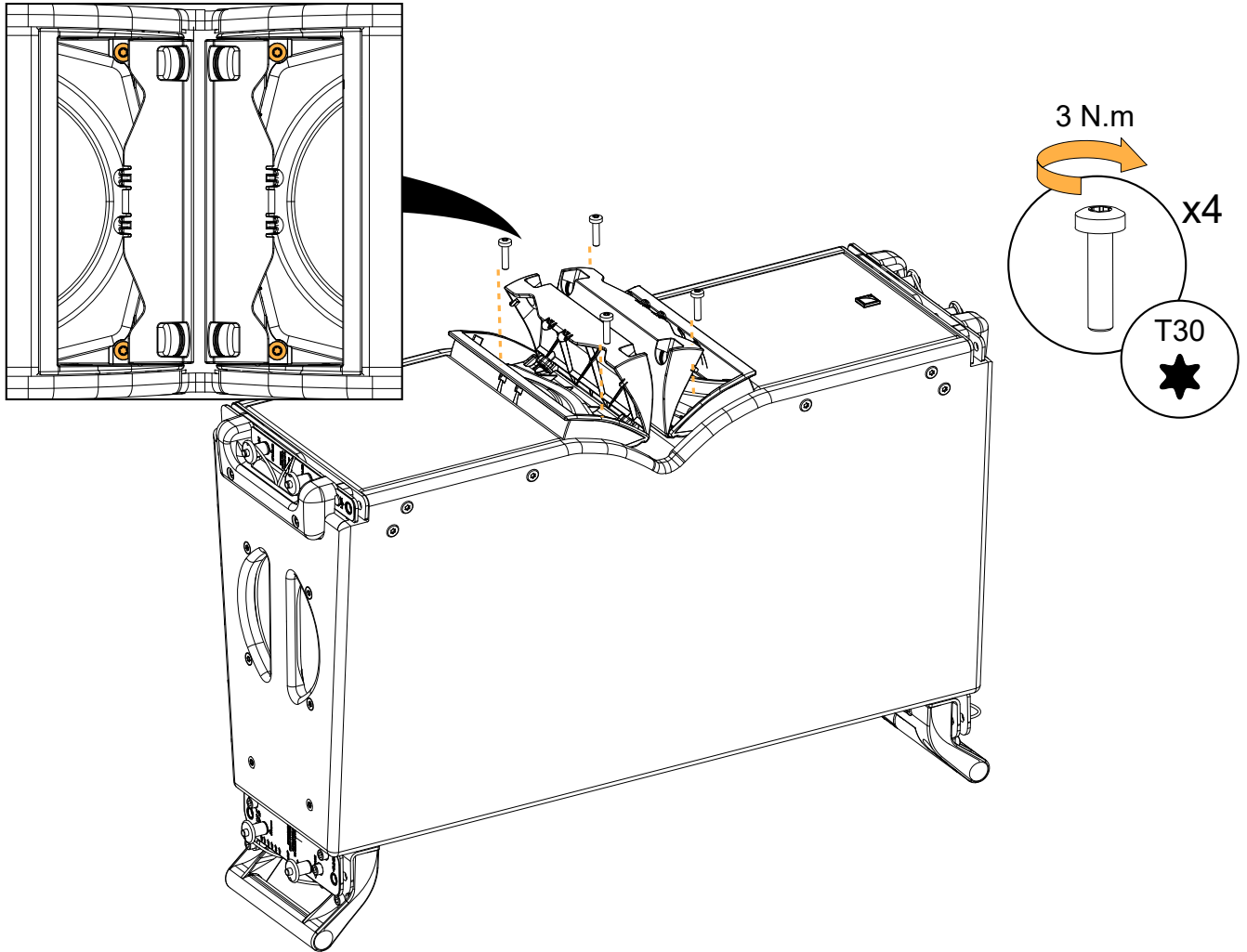




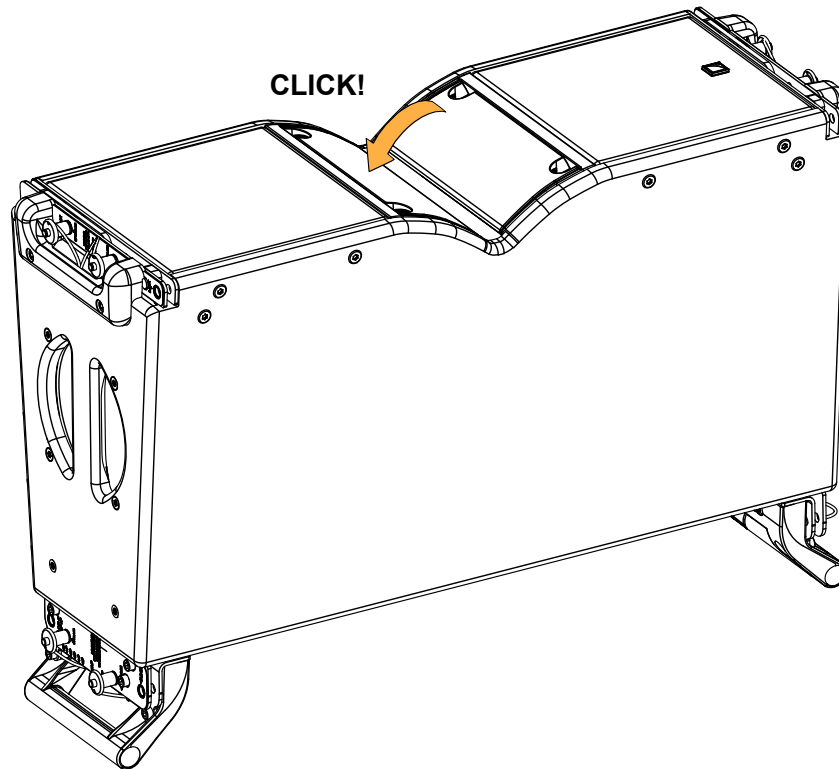
Make sure the news fins are open. If they are closed, use a flat tool to unhook the fins clips.



4. Secure the new fins on Kara with the S100143 screws.



5. Push on the fins to close them.

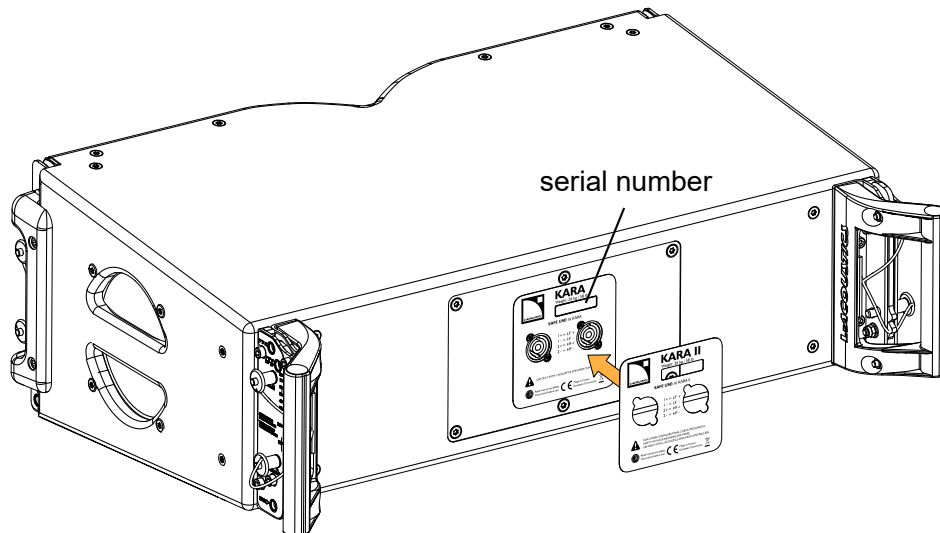


6. Carefully stick the Kara II label on top of the Kara label, at the rear of the enclosure.



Make sure the serial number remains visible through the label window.

If the serial number is hidden by the new label (Kara model from 2014 or earlier), copy the number on the empty serial number label, and stick the label inside the window.



What to do next

Refer to the **Kara II owner's manual** for instructions on using Kara II L-Fins and presets.



L-Acoustics

13 rue Levacher Cintrat - 91460 Marcoussis - France
+33 1 69 63 69 63 - info@l-acoustics.com
www.l-acoustics.com



 **L-ACOUSTICS**
GROUP